



Long Distance Conveying

Reduced Wear

Energy Efficient

Minimized Maintenance

Decreased Downtime

Seamless Integration

Fully Customizable

Fully Enclosed Convey Process

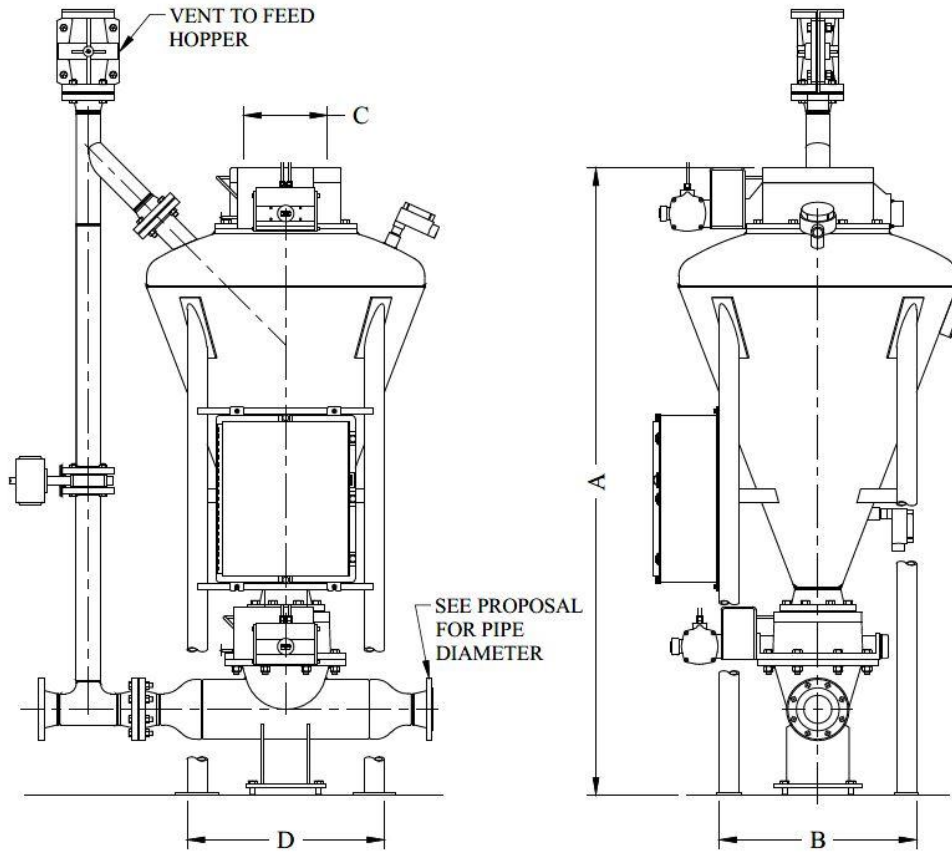
The Variflo® is designed to operate over distances up to 3000 ft. It can convey most fluidizable powders and granular materials which are non-sensitive and generally non-abrasive. Variflo operates on the boundary of dilute and dense phase, a zone that can be unstable. As a result, to ensure stable conditions, material loading in the pipeline is closely controlled through our proprietary Dome Valve® fitted to the outlet of the vessel and acting as a modulating valve. This modulating valve opens and closes in response to pressure signals indicating the loading level in the pipeline. If the pressure is too high, the valve will close, reducing the loading and preventing pipe blockages. If the pressure is too low, the valve will open, increasing the loading. This optimizes the velocity of the system, reducing pipe wear and maximizing capacity. This method of line loading is essential for automatic self-regulating conveying efficiency when conveying distances are long. Due to the robust design of the Dome Valve®, system life is also high and maintenance low.

- Temperature rating up to < 1000°F (537°C)
- Standard pressure rating up to 100psig (7barg). Higher pressure ratings available
- Standard material 516 Gd70 carbon steel
- Available in 304/316 stainless steel, aluminum, galvanized, and others
- Food grade, FDA, and pharmaceutical finishes and coatings
- Industrial coatings such as Teflon®, tungsten carbide, nickel, and others
- Fully assembled and tested prior to shipment
- Manufactured in Maryville, TN USA
- Global customer support for service and spare parts
- ISO 9001:2015 Quality Assured

UK – Mactenn Systems, Ltd.

India – Macawber Engineering Systems India, Ltd. Pvt.

China – Macawber China



Equipment Specification | VARI-FLO® 1-06

MODEL	DIMENSIONS (INCH)				NET WT (LBS)
	A	B	C	D	
3/4	46"	30"	4"	30"	670
7/8	76 3/8"	36 1/4"	7 7/8"	31 13/16"	937
12/8	90 3/16"	28 3/8"	7 7/8"	28 3/8"	1433
18/12	77"	42"	12"	42"	2371
28/12	81"	45"	12"	45"	3242
46/12	148 9/16"	63 3/8"	11 13/16"	63 3/8"	4537
100/12	157 7/16"	81 5/8"	11 13/16"	81 5/8"	7461
150/12	181"	82"	12"	82"	8105
200/16	209"	90"	16"	90"	9410
300/16	246"	98"	16"	98"	9695

INFORMATION NOT CERTIFIED FOR INSTALLATION PURPOSES

UK – Mactenn Systems, Ltd.
 India – Macawber Engineering Systems India, Ltd. Pvt.
 China – Macawber China